

FIG. 1A

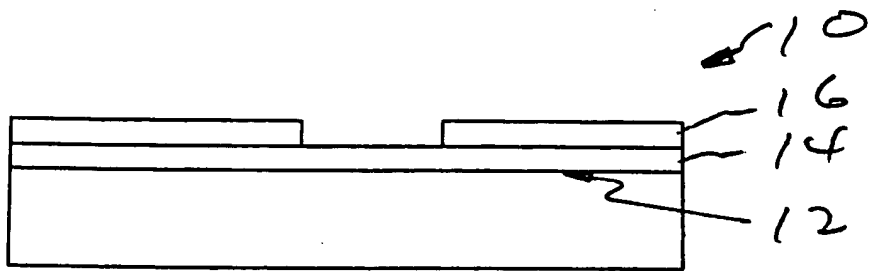


FIG. 1B

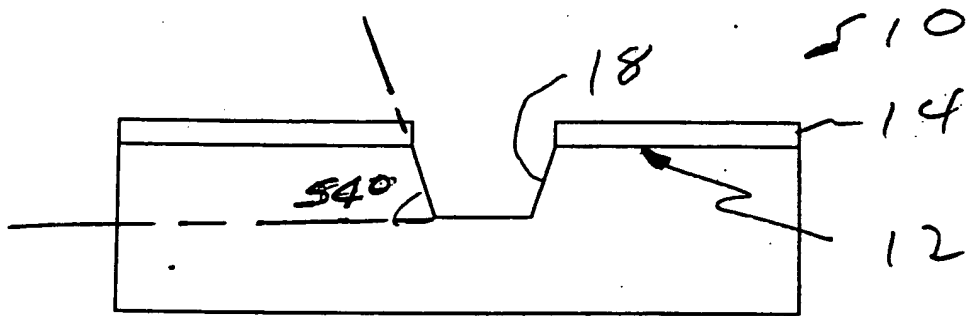


FIG. 1C

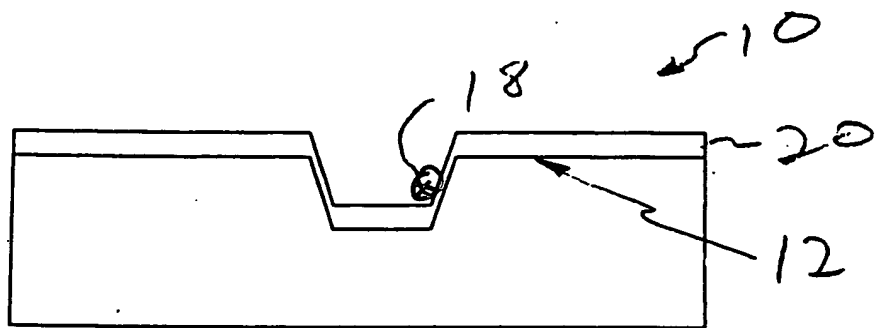


FIG. 1D

10
14
12

10
16
14
12

10
18
14
12

10
18
20
12

OFFICE OF THE
COMMISSIONER OF PATENTS
AND TRADEMARKS
WASHINGTON, D.C. 20540

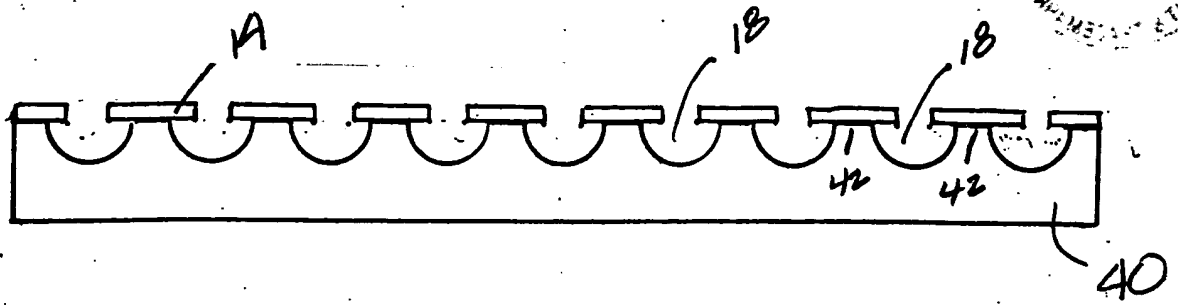


FIG. 8

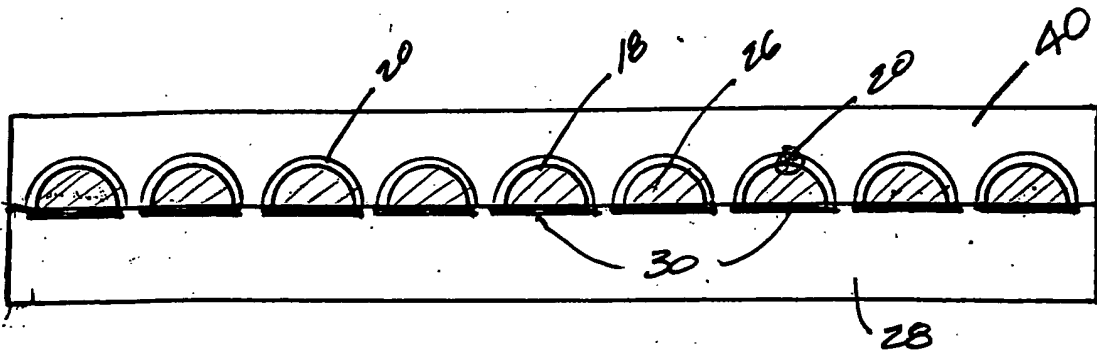


FIG. 9

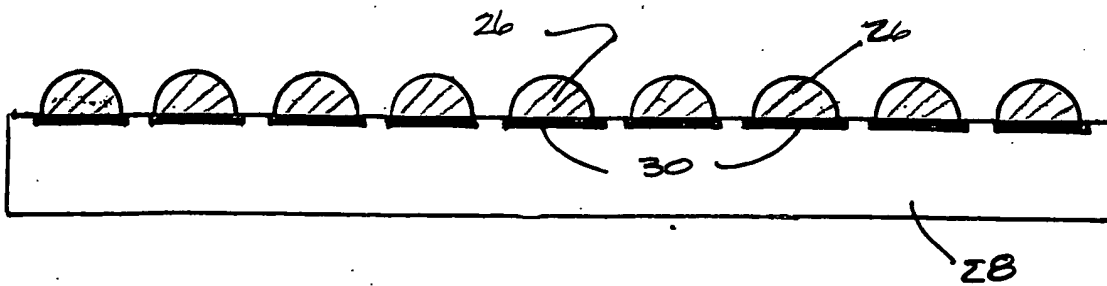


FIG. 10

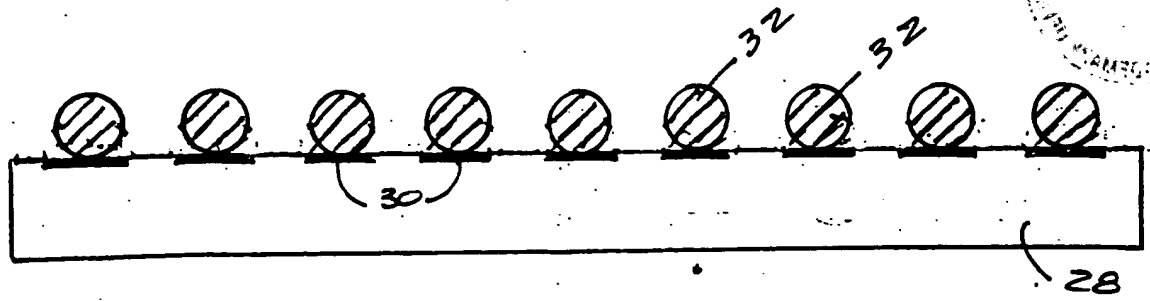


FIG. 11

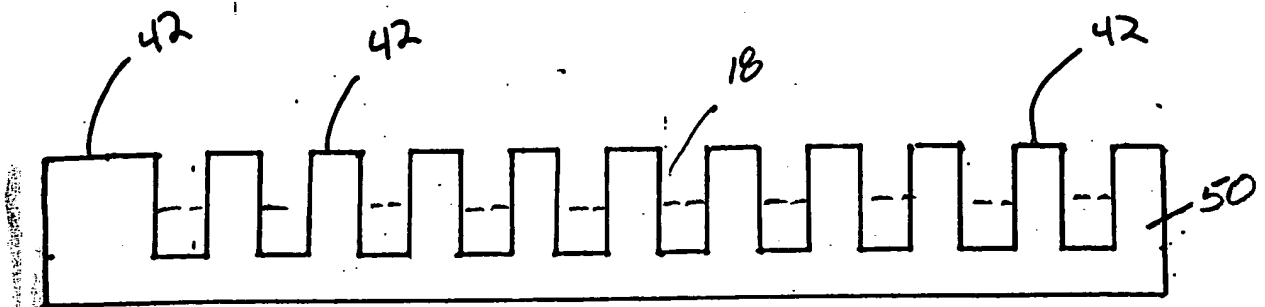


FIG. 12

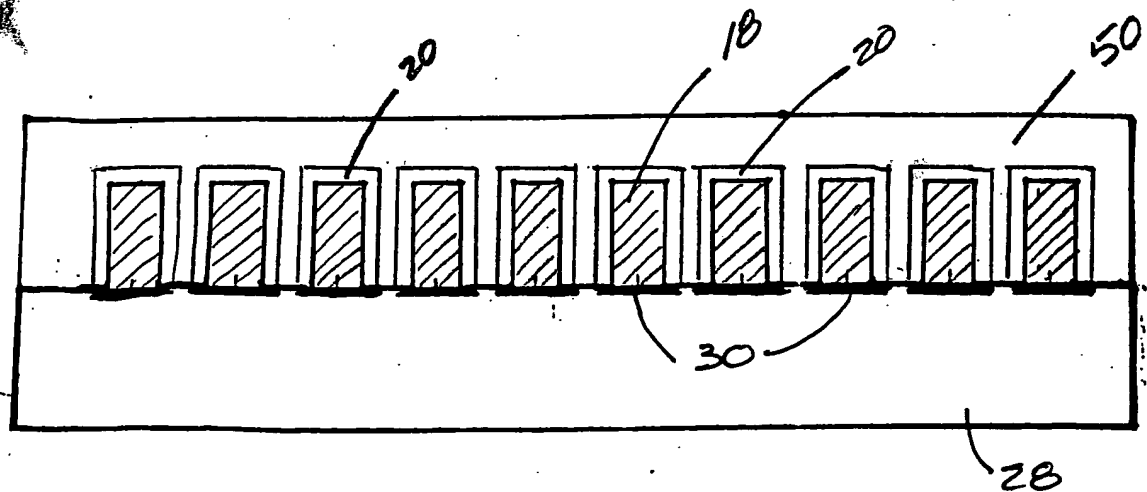


FIG. 13

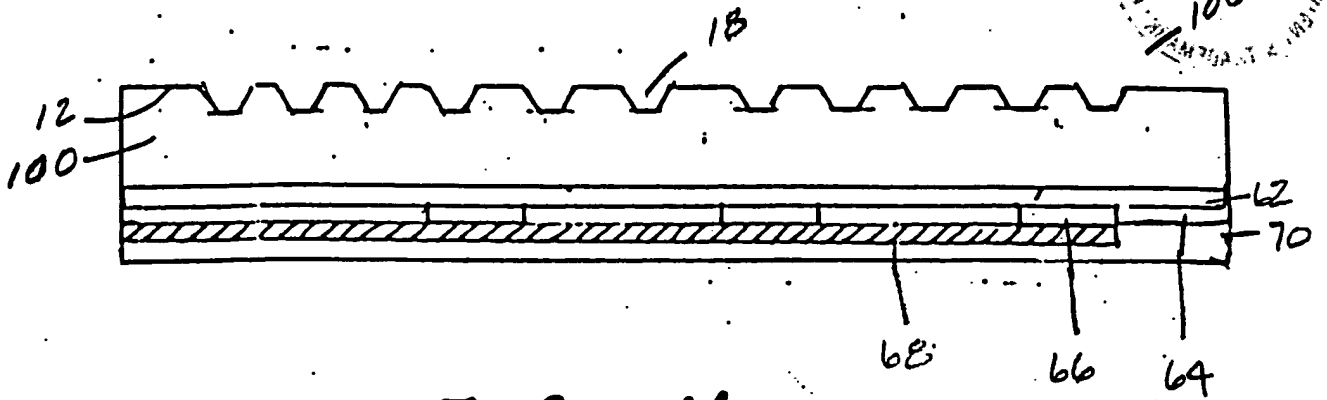


FIG. 16

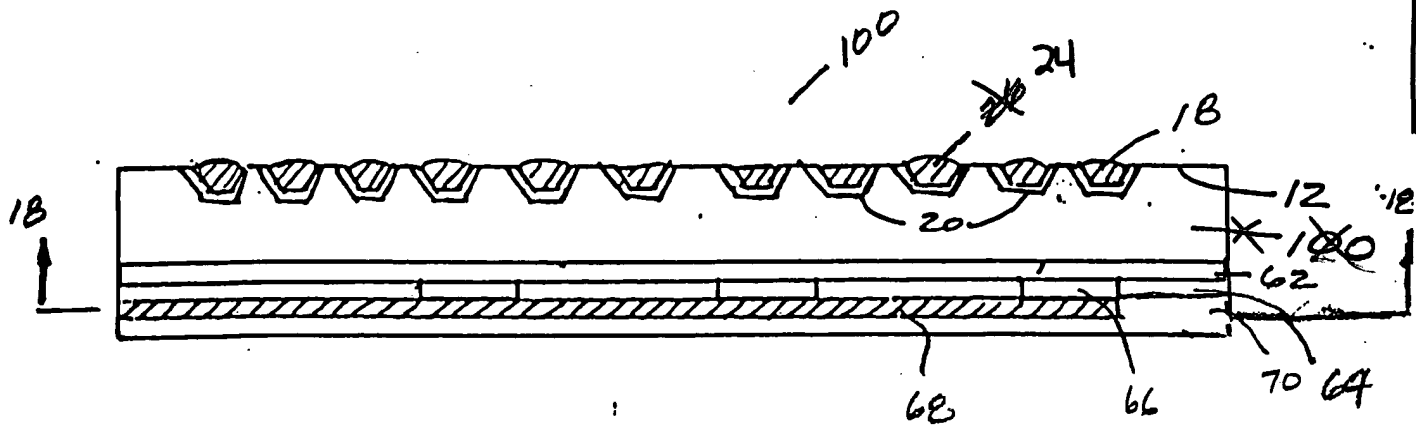


FIG. 17